

SINGLE WINDOW SIGHT GLASSES SW12

DESCRIPTION

The ADCA SW12 is a series of single window sight glasses specially designed for installation downstream of steam traps, to monitor their performance such as checking for live steam leakage or blockage. Such devices can also be used for monitoring flow conditions in other applications, particularly in pipelines with liquid medium.

MAIN FEATURES

Compact and cost-effective.
Single window design.
Borosilicate glass.

OPTIONS: Mica shield discs for use with steam.

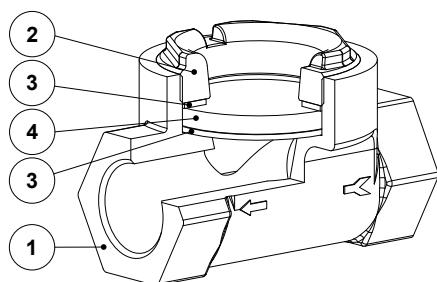
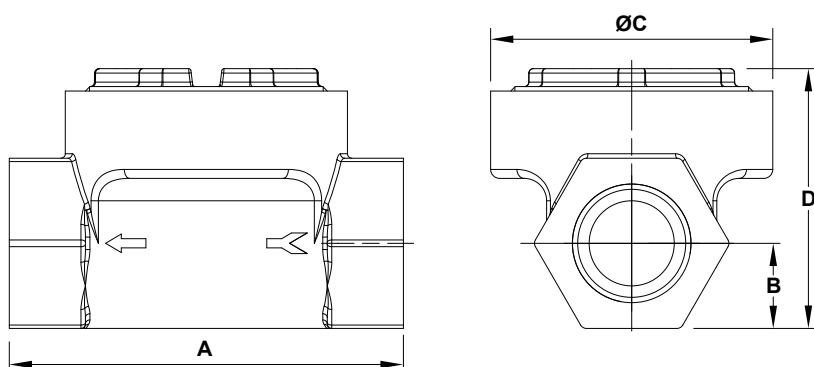
USE: Condensate lines and others.

AVAILABLE MODELS: SW12 – brass.

SIZES: 1/2" to 1".

CONNECTIONS: Female threaded ISO 7 Rp.

INSTALLATION: Horizontal or vertical installation.
See IMI – Installation and maintenance instructions.



CE MARKING – GROUP 2 (PED – EUROPEAN DIRECTIVE)	
PS 12 bar	CATEGORY
1/2" to 1"	SEP

LIMITING CONDITIONS	
PS – Maximum allowable pressure	12 bar
TS – Maximum allowable temperature	150 °C

DIMENSIONS (mm)					
SIZE	A	B	ØC	D	WGT. (kg)
1/2"	80	16	62	52	0,6
3/4"	88	19	62	57	0,9
1"	88	23	62	60	0,9

MATERIALS		
POS. No.	DESIGNATION	MATERIAL
1	Body	Brass EN12165 / CuZn39Pb2
2	Cover	Brass EN12165 / CuZn39Pb2
3	* Gasket	St. steel / Graphite
4	* Glass window	Borosilicate glass

* Available spare parts.